

LIMITED ONE YEAR WARRANTY
RETAIN THIS PART FOR FUTURE USE
THIS WARRANTY IS ONLY VALID IN THE USA

Techko Maid warrants this product for a period of one year from date of purchase against original defects in materials or workmanship. Techko Maid will replace (Techko Maid's option) with the same or equivalent product free of charge other than postage. This warranty does not cover damage caused by accident, misuse, abuse, or failure to follow instructions contained in your owner's manual. Refunds are not permitted unless the product was purchased directly from Techko Maid. Notes:

1. Using the product in any way other than specified in the owner's manual will void the warranty.
2. Opening or tampering with the product's housing will void the warranty.
3. Modifying the product or housing will void the warranty.
4. Failure to operate the product in accordance with the owner's manual will void the warranty.

RETURN INSTRUCTIONS:

1. PLEASE CALL TECHKO MAID'S CUSTOMER SERVICE LINE PRIOR TO RETURNING PRODUCT TO THE STORE OR SEEKING WARRANTY REPLACEMENT.
2. When returning a product to Techko Maid, please follow the instructions below:
 - a. Pack the product in the original carton or equivalent
 - b. Enclose a copy of the original, dated proof of purchase
 - c. Enclose a note explaining the difficulty you are experiencing with the product. Please be sure to enclose your full name, address, and telephone number.
 - d. Enclose a check or money order (no cash) payable to Techko Maid Inc. in the amount of \$10.00 for shipping and handling.
 - e. Mail the above to:
TECHKO MAID INC.
Customer Service Dept.
9767 Research Drive
Irvine, CA 92618-4626
3. Please allow 4-6 weeks for warranty services.

TECHKO MAID®

Robotic Mopping Machine

Model: RM403

OPERATION INSTRUCTIONS



Before operating this unit, please read all of the instructions, including important warranty information.

Patent Pending : 12/881.666, 12/881.716

Robot Mopping Machine

Congratulations on the purchase of your TECHKO MAID RM403 Robot Mopping machine. We know you will find this to be a helpful tool in your every day household cleaning.

- * Please see operation instructions for more information.
- * Retain the safety and operating instructions for future reference.

INSTRUCTIONS

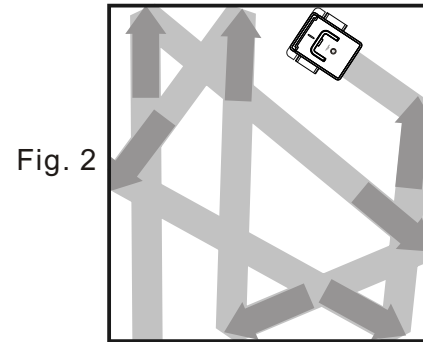
Before using the RM403 Robot Mopping machine for the first time, you will need to charge the battery completely overnight for best results.

CAUTION!

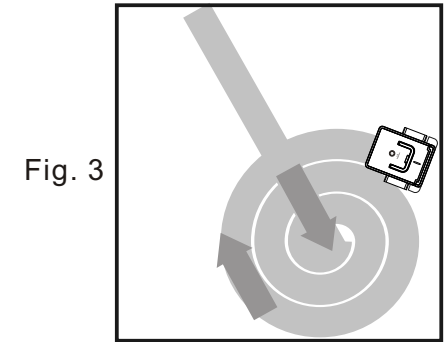
Before using your Robot Mopping machine, be sure to observe the following precautions:

1. RM403 is for indoor use only.
2. Since the RM403 contains various electronic parts, when cleaning it, DO NOT submerge in water. You may clean the unit with a damp cloth only.
3. The Robot Mopping machine is not a toy. Do not allow anyone to sit or stand on the unit. Small children and pets should always be supervised when the machine is cleaning.
4. Always follow the warnings and instructions outlined in this manual, and on the packaging.
5. Do not use this device to clean anything that may be burning or smoking.
6. Do not use this device to clean certain spills such as bleach, paint, or other harmful or flammable chemicals.
7. Do not attempt to repair or adjust any electrical or mechanical functions on this device. Tampering with these functions may create a hazardous condition, and will void your warranty.

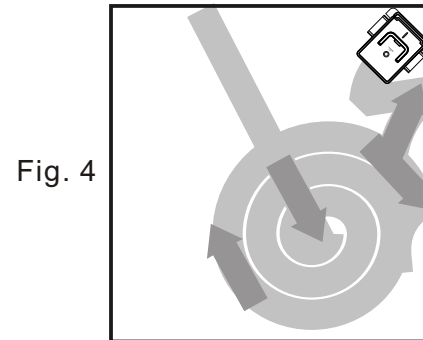
2. Random Pattern: When blocked, the unit will reverse and change movement direction (Fig. 2 shows angle changes)



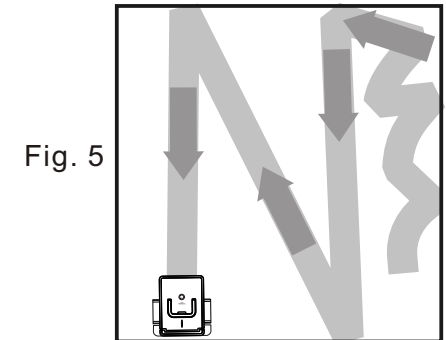
3. Spiral Pattern (Fig. 3)



4. Along Wall Pattern (Fig. 4)



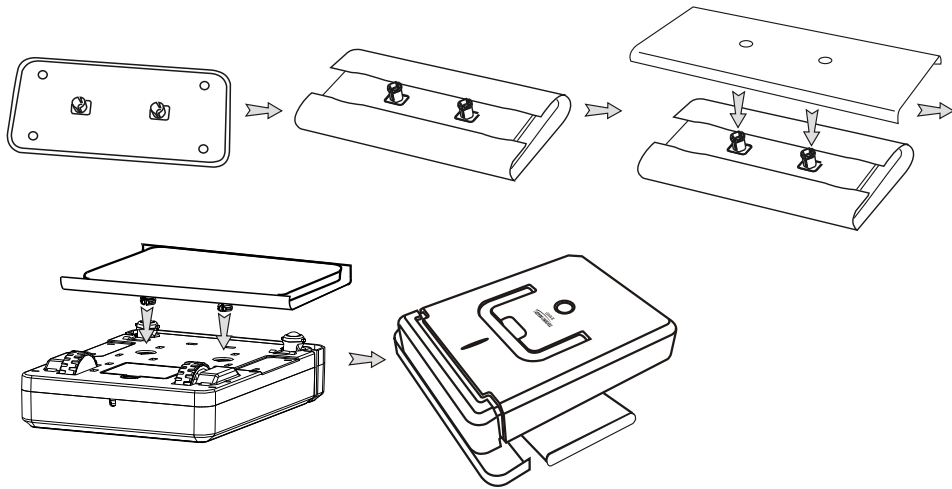
5. Z Pattern (Fig. 5)



Customer Service :

1-888-8TECHKO (1-888-883-2456)
Website: www.techkomaid.com

Mfg. By **TECHKO MAID®**
9767 Research Drive
Irvine, CA 92618-4626
MADE IN CHINA



Simply press the On/Off button, a short musical tone will sound and the RM403 will begin to start cleaning.

As the RM403 encounters chair legs, furniture and other obstacles, it cleans around them and then continues its cleaning pattern. It will periodically return to areas it skipped and continue on.

The RM403 detects stairs and will maneuver away from drop off and get back to its cleaning area.

The RM403 will automatically perform various movement patterns during its cleaning process and change to different movement patterns when needed to ensure complete room coverage:

Movement Patterns:

1. Straight Pattern (Fig.1 shows straight line movement)

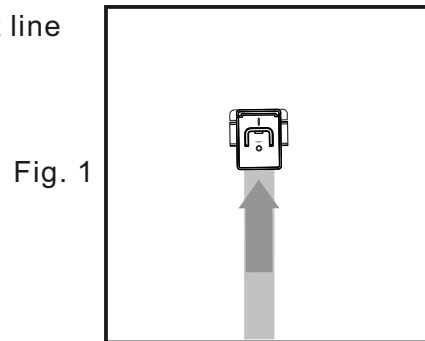


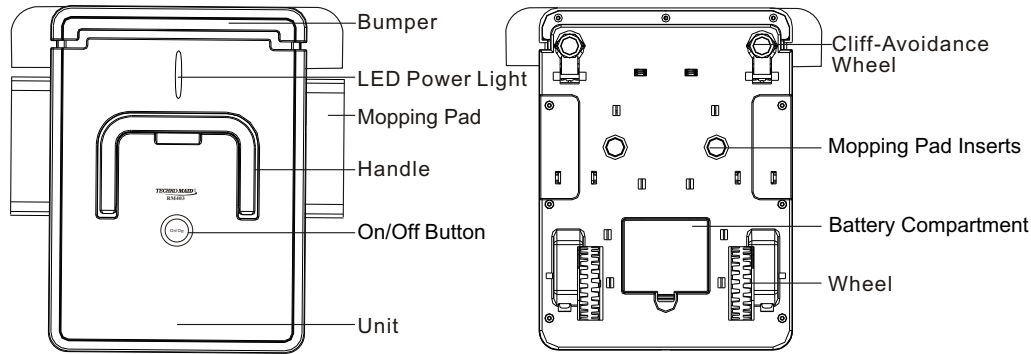
Fig. 1

8. Use only the electrical adapter provided by Techko Maid. Using another source may lead to product destruction, electrical shock or fires. Do not operate the unit with a damaged power supply cord.
9. Before using this machine, make sure to pick up objects such as clothing, toys, papers, pull cords for blinds or curtains, power cords and fragile objects that could get knocked over.
10. Always remove the battery before long-term storage or transportation.
11. Do not use common household cleaners, lubricants, or alcohol on or near the mopping machine. Do not use flammable, petroleum-based or aerosol cleaners on or near this product. Some agents may combust causing serious injury.

FEATURES:

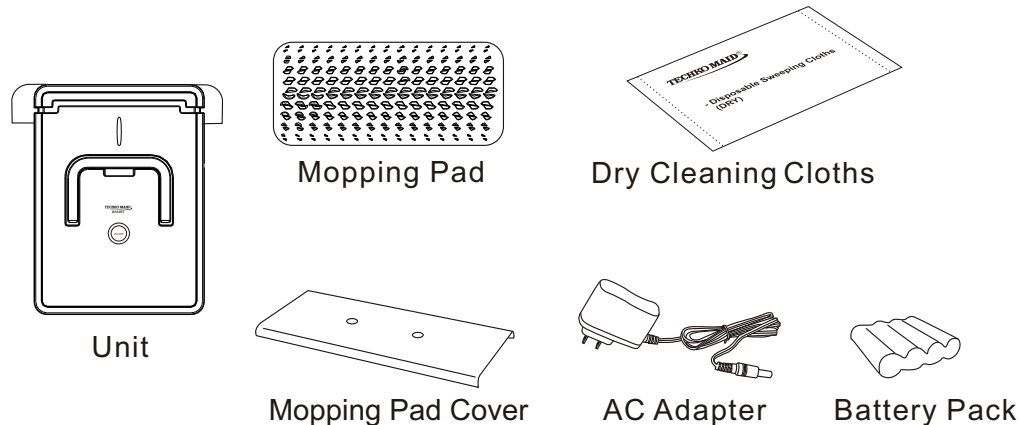
- * **Automatically mops floors with a one touch button operation**
- * **Excellent for mopping sealed wood floors, linoleum, tile and marble floors**
- * **Wet and Dry mopping capability**
- * **Compact design enables it to work under sofas, beds, and other hard-to-reach areas**
- * **Touch sensitive bumpers won't damage furniture or baseboards**
- * **Fall prevention sensors**
- * **Auto shut off when lifted or stuck**
- * **Straight walk, wall following, spiral and Z patterned motions provide maximum room coverage**
- * **Uses standard, convenient, and easy to change mopping sheets**
- * **Rechargeable batteries and AC Adapter included**

COMPONENT ILLUSTRATION



INSTALLATION:

1. Remove the Robot and all parts from outer carton.
2. Please check your accessories:
 - * 1 RM403 Unit
 - * 1 Mopping Pad
 - * 1 Mopping Pad Cover
 - * 1 AC Adapter
 - * 1 Battery Pack
 - * 2 Dry Cleaning Cloths

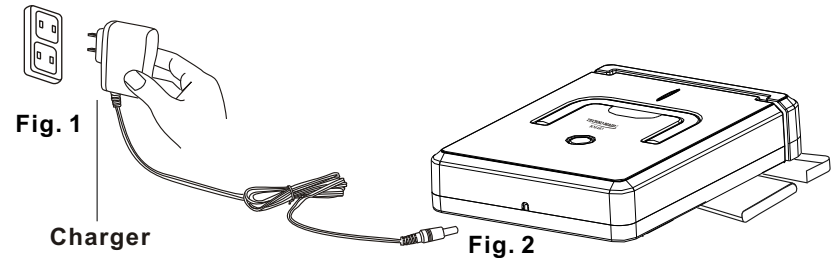


BATTERY AND CHARGING

- * **IMPORTANT** - Before using the RM403 unit for the first time, you need to charge the battery completely overnight for best results. (8 hours +)
- * Charge using a standard USA AC outlet only.
- * Only use the included charger to charge the RM403.
- * Only use the rechargeable battery packs provided or approved by the manufacturer.
- * Do not use a charger with a damaged cord or plug.
- * Do not handle or charge the RM403 when hands are wet.
- * Always disconnect the RM403 from the charger before cleaning the unit itself.

CHARGING

1. Insert the plug into the power socket (see Fig.1).
2. Insert the other end of the plug into the socket located at the back of the machine(see Fig.2). The LED indicator light will begin to flash.
3. The charging time is 6-8 hours.



OPERATION & DIAGRAMS

To begin using your RM403, you must apply either a standard wet sheet for mopping or a standard dry sheet for sweeping, on to the mopping pad. Wrap the sheet evenly around the mopping pad and secure it by attaching the mopping pad cover on to it. Insert the whole mopping pad on to the unit. You are ready to go !